



GR1000

LCD液晶背光顯示器/溫溼度 傳送器/RS485溫溼度感測器

特點：

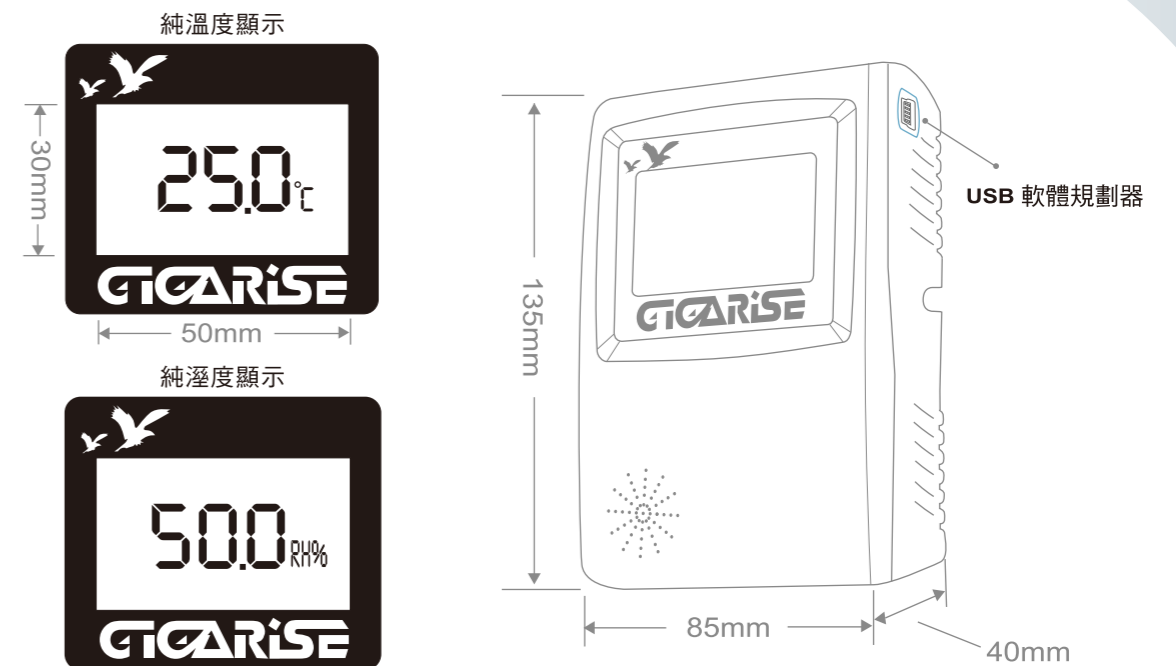
- 可同時輸出二組4~20mA及RS485數位信號MODBUS格式
- 通訊傳輸9600、19200、38400、57600、115.2K
- 支援系統傳輸格式N81、N82、E81、O81
- RS485串列位址1~255台
- 溫溼度採用進口半導體兩用型晶片
- 溫溼度偵測LCD顯示RS485數位輸出訊號具有通信指示燈
- 經由RS485通信系統溫溼度及氣體具有視覺可補偏差值
- 具有數位化修正USB多功能原廠微調校正值及免費軟體
- 溫度LCD顯示可自行修正-50~100°C或USB微調校正值
- 溫溼度顯示型LCD或USB視窗按鍵可視覺補偏差修正值
- 數位化按鍵4~20mA 可校正系統儀錶或USB高低點校正值
- 溫度可USB規劃-50~100°C
- 溫溼度可規劃1~10秒輸出取樣時間快與慢速度之功能
- 應用於溫室蔬果倉庫、實驗室、醫療節能、養殖廠、冷藏室、校園節能控制、空調無塵室、停車廠、電信機房整廠設備等



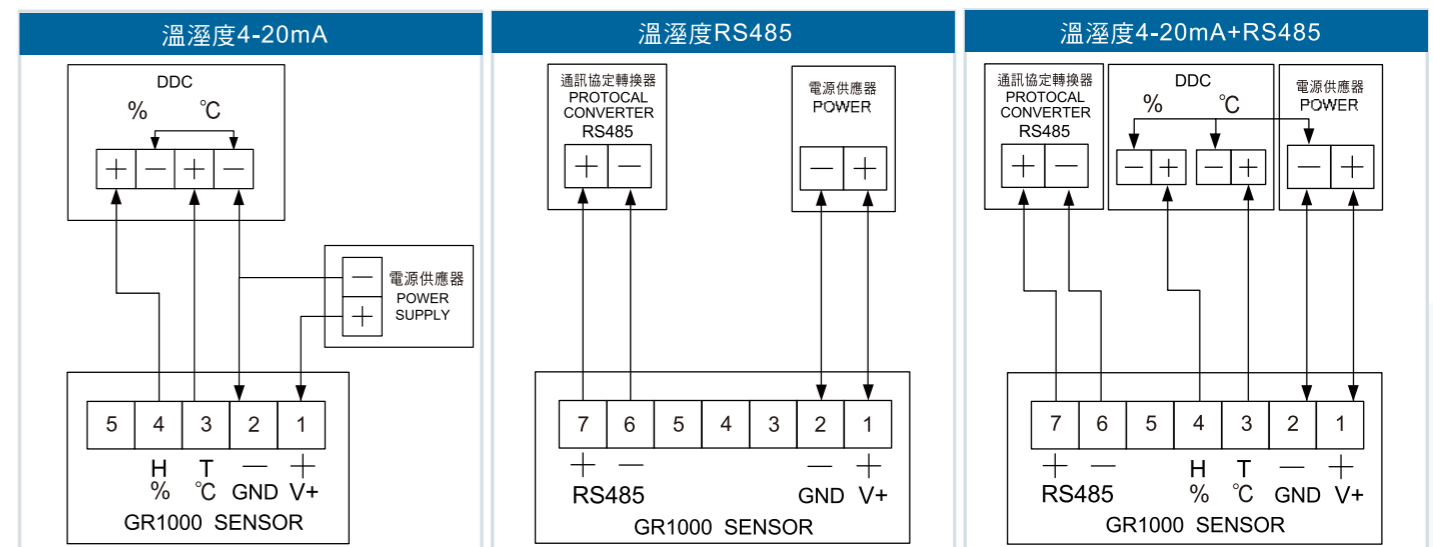
規格

主要規格	
RS485輸出訊號	數位RS485信號MODBUS RTU格式, 具有通信功能指示燈 (可搭配人機介面PLC, DDC, PC達到遠端即時監控之功能)
支援系統傳輸格式	N81 N82 081 E81
通訊傳輸速率	2400 or 4800 or 9600 or 19200 or 38400 or 57600 or 115.2K
儀錶RS485串列位址	可定址1~255台
RS485讀取速率	200ms
背光LCD顯示	溫溼度傳送器 / 溫度傳送器 / 溼度傳送器 / 白色LCD背光顯示
負載阻抗電流輸出	線性電流：4~20mA (電阻性負載500Ω以下), 0~10V (電阻性負載600Ω以上)
溫溼度感測元件	溫溼度採用進口半導體兩用型晶片
溫溼度使用環境測量範圍	溫度-10~50°C 溼度：0~100%RH(非結露)
溫溼度量測精度	±3%RH(10~90%RH)(於25°C時), ±0.4°C(於25°C時) (溫溼度精確度測量工作電壓24VDC環境溫度於25°C時)
溫溼度輸出取樣時間	溫溼度可規劃1~10秒輸出取樣時間快與慢速度之功能
USB軟體線之功能	可透過手持充電器及電腦USB插孔驅動顯示, 此功能出廠為選配
外殼材質/防漏等級	ABS: 視窗PC / 防漏等級: IP20
消耗電流	DC: 50mA Max
輸出解析度	15 bits
工作電源	DC24V ±20%

外型尺寸圖



接線圖



訂購規格

量測信號	代碼	輸出信號	代碼	LCD顯示	代碼	通訊選用	代碼	USB選用	代碼	工作電源	代碼
溫溼度信號傳送器	1	4 ~ 20 mA	M	白色LCD背光顯示	D	RS485	C	選擇	Y	DC24V	D
溫度信號傳送器	2	0-10V	V	不選擇	N	不選擇	N	不選擇	N		
溼度信號傳送器	3	不選擇	N								

		Report No: ECAC0141717	第1頁	共2頁
申請者 Applicant	嘉升科技有限公司			
儀器名稱 Equipment	溫濕度傳訊器			
製造廠商 Manufacturer	GIGARISE	機型 Model	---	序號 Serial No
校正程序 Procedure used	GENP-EC-T008	收件日期 Received Date	2017/1/11	校正日期 Calibration Date
校驗者 Operator	謝宏恩	溫度 °C Temperature	23 °C ± 3 °C	相對濕度 % Relative Humidity
顧客地址	231 新北市新店區安泰路60巷65號			校正地點 Location
遊校地址	實驗室			

實驗室使用標準器 / SGS Standards

儀器名稱 Equipment	製造廠商 Manufacturer	機型 Model	標準器校正日期 Calibration Date
Hygrometer	EDGE TECH	DEW MASTER	2016/7/22
Hygropalm	ROTRONIC AG	HP22+HC2-S	2016/4/15
Temperature/Humidity Chamber	REYO	LY-2-TH-D	2016/7/11
序號 Serial Number	追溯單位 Traceability	報告號碼 Report No.	標準器有效日期 Due Date
36580(2H2769MCR)	NML(TAF N0881)	H160050A	2017/7/21
0060538668+0060577530	PTI(TAF 1805)	16A024011	2017/4/14
LY-806034	SGS(TAF 0143)	ECAC2065316	2017/7/10

◆ 台灣檢驗科技股份有限公司特此聲明本報告書內記載之標準器，依ILAC P10之規定，可追溯至ILAC MRA 國際實驗室認證聯盟相互承認協議成員之認可實驗室，或各國家計量標準機構(NMI)，或國際度量衡委員會相互認可協定之機構(CIPM MRA)，或驗證參考物質(CRMs)。

有TAF認證標誌之報告係全國認證基金會(TAF)之認證範圍；無TAF認證標誌之報告亦符合本實驗室標準校正作業程序及ISO/IEC 17025之規定。

◇ SGS Taiwan Ltd hereby declare that traceability follows ILAC P10(ILAC policy on the traceability of measurement results).All standards are directly traceable to TAF recognized lab

(members of the ILAC MRA) or to National Metrology Institutes (NMI) or to other international standards (members of the CIPM MRA) or certified reference materials(CRMs).

This report with "TAF" accredited symbol indicates the quality system conforms to TAF; Without "TAF" accredited symbol, the report also complies with the lab's standard calibration operating procedures and ISO/IEC 17025 requirements.

◆ 本校正報告僅對上述儀器之校正項目有效，本實驗室依ISO/IEC 17025規定不做校正週期及允收水準之判定。

◇ This calibration report is valid only to the items been calibrated. According to ISO / IEC 17025, SGS will not provide the determination for Calibration interval and acceptable level for this instrument.

◆ 本校正報告部份複製及影本無效。

◇ To reproduce or copy calibration report in partial is not allowed.

郭樂華

報告簽署人

This document is issued by the Company subject to its General Conditions of Service printed overleaf, available on request or accessible at <http://www.sgs.com/en/Terms-and-Conditions.aspx> and, for electronic format documents, subject to Terms and Conditions for Electronic Documents at <http://www.sgs.com/en/Terms-and-Conditions/Terms-e-Documents.aspx>. Attention is drawn to the limitation of liability, indemnification and jurisdiction issues defined therein. Any holder of this document is advised that information contained hereon reflects the Company's findings at the time of its intervention only and within the limits of Client's instructions, if any. The Company's sole responsibility is to its Client and this document does not exonerate parties to a transaction from exercising all their rights and obligations under the transaction documents. This document cannot be reproduced except in full, without prior written approval of the Company. Any unauthorized alteration, forgery or falsification of the content or appearance of this document is unlawful and offenders may be prosecuted to the fullest extent of the law. Unless otherwise stated the results shown in this test report refer only to the sample(s) tested.

TWC1315461



溫濕度部份:

器示值		標準值		器差值	
溫度(°C)	相對濕度(%)	溫度(°C)	相對濕度(%)	溫度(°C)	相對濕度(%)
-9.9	-	-10.0	-	0.1	-
20.0	81.1	20.0	80.0	0.0	1.1
25.1	72.2	25.0	70.0	0.1	2.2
30.2	53.2	30.0	50.0	0.2	3.2
50.3	93.9	50.0	90.0	0.3	3.9

校正說明:

1. 器差值=器示值 - 標準值
 2. 器差% = [(器示值 - 標準值) ÷ 標準值] * 100
 3. 器示值係指送校正件所顯示或設定之值
 4. 標準值係指工作標準件之輸出值或顯示值
 5. 校正能力係以約95%信賴水準, k=2之擴充不確定度表示
 6. 擴充不確定度: 溫度 0.5 °C, 相對濕度 2.0 %
 7. 上述擴充不確定度已包含待校件之不確定度評估結果
- THE END --



This document is issued by the Company subject to its General Conditions of Service printed overleaf, available on request or accessible at <http://www.sgs.com/en/Terms-and-Conditions.aspx> and, for electronic format documents, subject to Terms and Conditions for Electronic Documents at <http://www.sgs.com/en/Terms-and-Conditions/Terms-e-Documents.aspx>. Attention is drawn to the limitation of liability, indemnification and jurisdiction issues defined therein. Any holder of this document is advised that information contained hereon reflects the Company's findings at the time of its intervention only and within the limits of Client's instructions, if any. The Company's sole responsibility is to its Client and this document does not exonerate parties to a transaction from exercising all their rights and obligations under the transaction documents. This document cannot be reproduced except in full, without prior written approval of the Company. Any unauthorized alteration, forgery or falsification of the content or appearance of this document is unlawful and offenders may be prosecuted to the fullest extent of the law. Unless otherwise stated the results shown in this test report refer only to the sample(s) tested.

TWC1315460